

TCA-292MM Adapter Instructions

071-2064-00

www.tektronix.com



071206400

Safety Summary

To avoid potential hazards, use this product only as specified.

To avoid fire or personal injury

Connect and disconnect properly. Connect the adapter to the host instrument before connecting the 2.92 mm or SMA device to the device-under-test. Disconnect the device input and ground from the device-under-test before disconnecting the 2.92 mm or SMA device from the adapter and host instrument.

Ground the product. This product is indirectly grounded through the grounding conductor of the host instrument power cord. To avoid electric shock, the grounding conductor must be connected to earth ground. Before making connections to the input or output terminals of the product, ensure that the product is properly grounded.

Observe all terminal ratings. To avoid fire or shock hazard, observe all ratings and markings on the host instrument. Consult the host instrument documentation for further ratings information before making connections to the host instrument.

Do not apply a potential to any terminal, including the common terminal, that exceeds the maximum rating of that terminal.

Do not operate without covers. Do not operate this product with covers or panels removed.

Do not operate with suspected failures. If you suspect there is damage to this product, have it inspected by qualified service personnel.

Do not operate in wet/damp conditions.

Do not operate in an explosive atmosphere.

Keep product surfaces clean and dry.

Safety symbols on the product



CAUTION
Refer to Host
Instrument Manual

Product Description

The TekConnect™-292MM adapter allows you to connect 2.92 mm and SMA-terminated devices to Tektronix instruments with the TekConnect interface. The adapter preserves maximum signal integrity and eliminates the need for additional external adapters, which can degrade voltage standing wave ratio (VSWR).

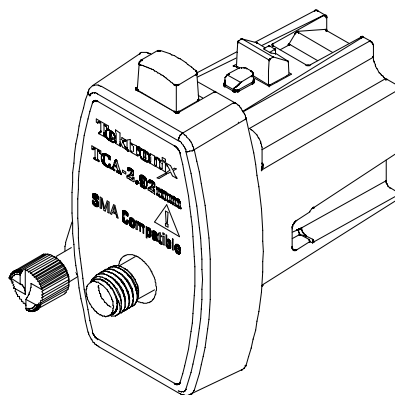


Figure 1: TCA-292MM Adapter

Using the Adapter

The adapter connects directly to the Tekconnect interface on the host instrument.

Installing the Adapter

1. Insert the adapter into the TekConnect interface on the host instrument until the adapter locks in place.
2. Finger tighten the screw to secure the adapter to the instrument.
3. Connect a 2.92 mm or SMA cable to the adapter.
4. Connect the other end of the 2.92 mm or SMA cable to the device under test.

Removing the Adapter

1. Disconnect the 2.92 mm or SMA cable from the device under test.
2. Disconnect the 2.92 mm or SMA cable from the adapter.
3. Unscrew the screw that holds the adapter in place.
4. Press the button on top of the adapter (see Figure 2) to release the lock and remove the adapter from the host instrument.

NOTE. It may be necessary to remove the adapter before installing the host instrument cover.

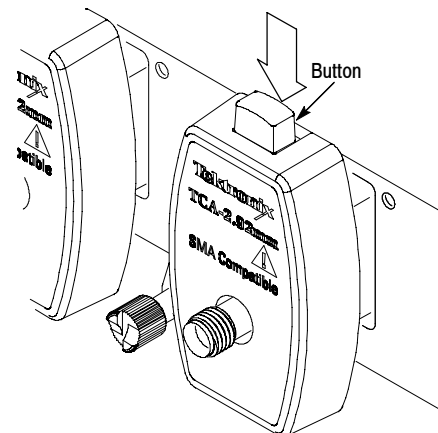


Figure 2: Removing the adapter from the host instrument

Specifications

Maximum Input Voltage. The lesser of 30 V_{RMS} or the maximum input voltage rating for the TekConnect host instrument.

VSWR. Refer to the TekConnect host instrument for the overall system VSWR.

Propagation Delay. 142 ps ± 4 ps.

Additional Information

For additional information on using the TekConnect adapters, refer to the documentation for the host instrument.

Warranty Information

For warranty information, go to www.tektronix.com, click Support, and then select Look Up Tektronix Warranty.

Contacting Tektronix

Tektronix, Inc.
14200 SW Karl Braun Drive
PO Box 500
Beaverton, OR 97077
USA

For product information, sales, service, and technical support:

- In North America, call 1-800-833-9200.
- Worldwide, visit www.tektronix.com to find contacts in your area.